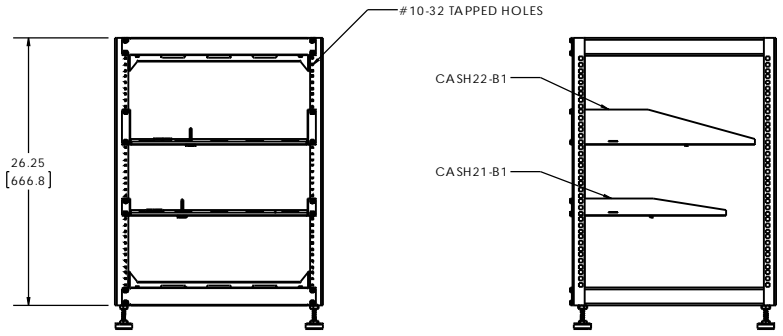
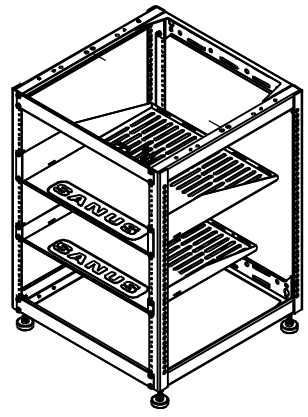
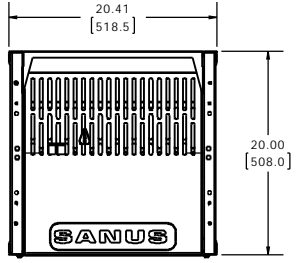


STATUS 状态
JA 05/23/2012 - RELEASED ON ECO: 500005667

6805-002043-XXX



THE INFORMATION AND DESIGNS CONTAINED IN THIS DRAWING ARE CONFIDENTIAL AND THE PROPRIETARY PROPERTY OF MILESTONE AV TECHNOLOGIES NEITHER THIS DESIGN NOR ANY INFORMATION CONTAINED IN THIS DRAWING MAY BE REPRODUCED OR DISCLOSED TO OTHERS WITHOUT THE EXPRESS WRITTEN CONSENT OF MILESTONE AV TECHNOLOGIES. 本图纸包含的信息和设计均系 Milestone 机密和知识产权, 本图纸包含的设计和信息在未经 Milestone 允许情况下均不得复制或泄露。

CAD GENERATED DRAWING. DO NOT MANUALLY UPDATE. C.A.D. 翻图, 禁止手改	
DRAWN BY 绘图者	JA 12/20/2011
ENG. APPROVAL 工程批准	
MFG. APPROVAL 制造批准	HZ 05/14/2012
QA APPROVAL 品质批准	

SANUS

6436 CITY WEST PKW Y
EDEN PRAIRIE, MN, 55344
PHONE: 866-977-3901
FAX: 877-894-6918

DESCRIPTION 描述
CFR1615

SHEET 1 OF 1 1:12 A 6805-002043-XXX REV 00